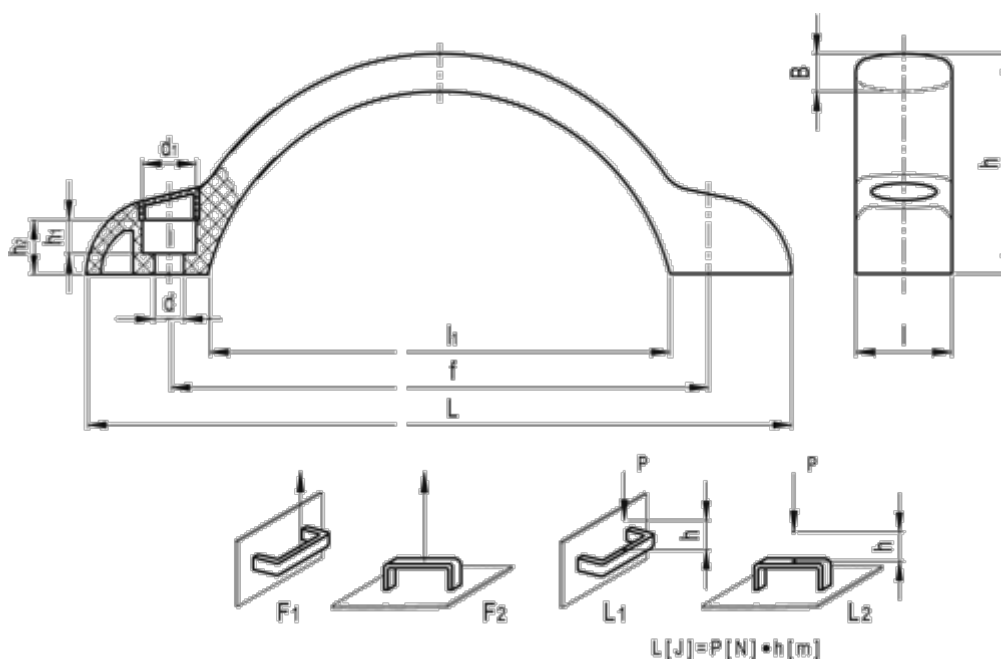


Article number: 23020374615  
 Description: E+G U-handle  
 M.479/150-8-C5, Cyan Blue

## Measures



B	= 9	h2	= 13
d	= 8.5	l	= 23
d1	= 13.5	L	= 173
f	= 132 +/-0,5	l1	= 113
F1 (N)	= 2100	L1 (J)	= 15
F2 (N)	= 2600	L2 (J)	= 7
h	= 52.5	Weight (g)	= 49
h1	= 8.5		